

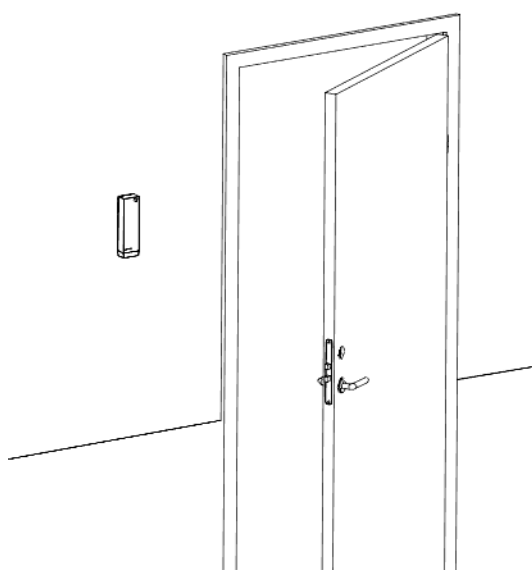


1 Introduction

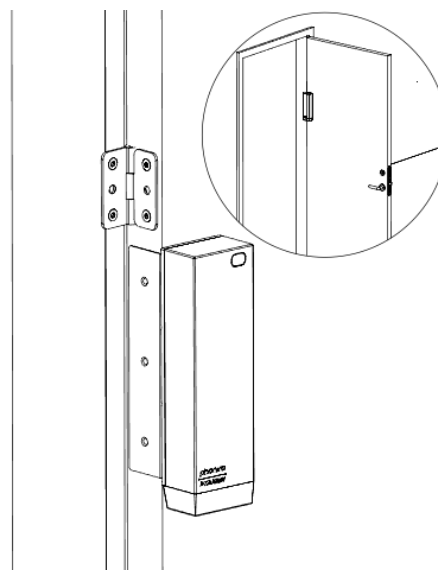
Thanks for choosing the Phoniro Key Safe, the smart digital key safe. Take a while and read through this installation manual, in order to have full benefit of your new product.

The key safe is battery operated and is opened using a smartphone app. This document describes how the key safe is installed next to a door on a brick or concrete wall or fastened on a door.

Wall installation

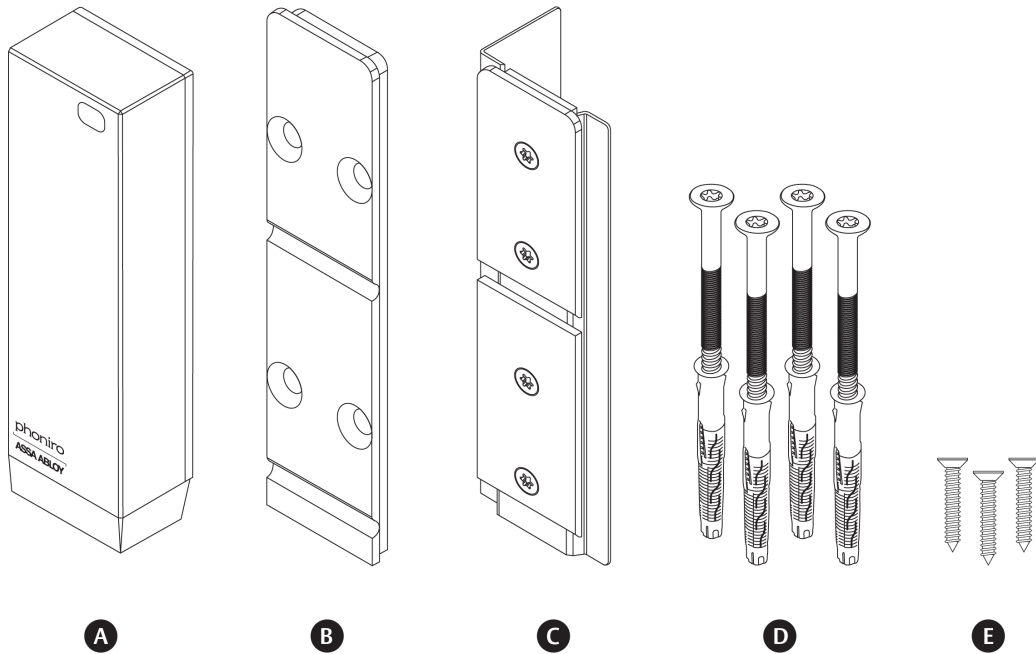


Door installation



1.1 Installation material

| Main unit | | |
|---------------------------------------------------------|---------------------------------------------------------------------------------------------------|---|
| Key Safe KS03 | Item.no: 12618 | A |
| Accessories (ordered separately) | | |
| Wall mount | Item.no: 12470 | B |
| Adjustable door mount (Available in four sizes S-XL) | S: Item.no: 30081-001 M: Item.no: 30081-002 L: Item.no: 30081-003 XL: Item.no: 30081-004 | C |
| Screws and plugs for wall mount | Item.no: 30094 | D |
| Screws for door mount | Item.no: 11956 | E |
| Battery 3.6V | Item.no: 12395 | |



1.2 Recommended tools (not included)

You need the following tools to install the key safe on a wall:

- Drill machine with hammer function
- Drill for concrete Ø8mm
- Electric screwdriver with TX40 bit or regular screwdriver, size TX40
- A small brush or similar to clean the drilling holes from debris

You need the following tools to install the key safe on a door:

- Electric screwdriver with PZ2 bit or regular screwdriver, size PZ2

Apart from the above, we also recommend:

- A marker pen to mark where to place the screw holes
- A thin screwdriver to separate the key holder from the key safe
- Spirit level for exact vertical wall mounting

2 Installation

2.1 Choosing installation place

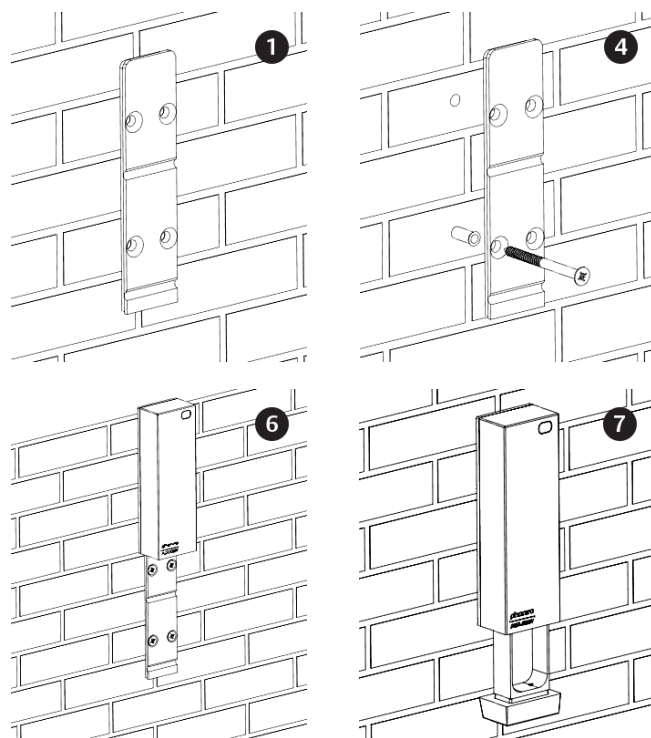
The key safe should be installed on a door or a wall. When installing on a wall, try to find a surface that is vertical and as even as possible.

2.2 General information regarding installation

Use only the mounts supplied by Phoniro. Install the selected mount at a height of at least 120 cm (up to the bottom of the key safe). A free distance of at least 30 cm above and below the key safe is needed to open and insert the key holder.

Wall installation

1. Use the wall mount to determine a suitable location on the wall. The round corners of the mount should be upwards. Mark where the holes should be and preferably use a spirit level to get an exact vertical location. The surface should be as even as possible. The holes should be placed fully in a brick.
2. Drill four holes Ø8mm, 90mm deep.
3. Remove all debris from the holes.
4. Insert plug without screw in the holes.
5. Secure the wall mount with the screws. Screw in the screws in diagonally opposite holes, i.e. upper left and lower right, then upper right and lower left. This prevents the screws from tightening unevenly and the mount from becoming skewed.
6. Remove the key holder from the key safe and slide the key safe on the wall mount.
7. Make sure the inside of the key safe is free of dirt. Then insert the key holder completely. A red LED indication confirms that locking has taken place.
8. The key safe is now ready for use.



Door installation

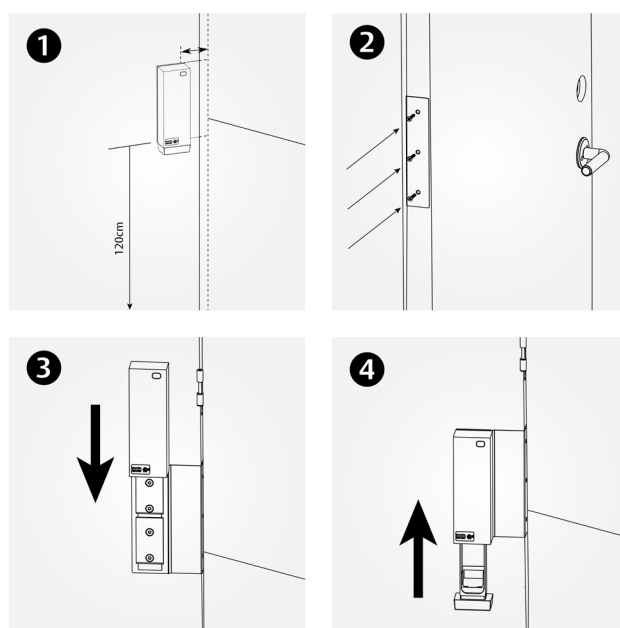
NOTE! We do not recommend installation on doors with fire classification and/or certified burglary classification, as damage to the door risks changing such classification.

This manual shows a door opening outwards¹. The principle is the same if the key cover is to be mounted on door opening inwards.

Before starting the installation, check if you have a left- or right-hung door. To adjust the door mount for each door, see the section "Adjusting the door mount" later in this manual. Also make sure that you have the correct door mount, there are four different door mounts depending on how deep the door frame is. This is to prevent the key safe from touching the frame when the door is opened.

Use the door mount to determine a suitable location on the door. Make sure that the key safe has enough space above and below (at least 30 cm in each direction).

1. Screw the door mount to the back of the door with the supplied screws.
2. Remove the key holder from the key safe and slide the key safe on the wall mount.
3. Make sure the inside of the key safe is free of dirt. Then insert the key holder completely. A red LED indication confirms that locking has taken place.
4. The key safe is now ready for use.



¹ The SKG*** certification does not apply when mounting on outwards opening doors.

Testing the Phoniro Key Safe

Before using the unit with a key placed in the key holder, it should be tested so that unlocking and locking works.

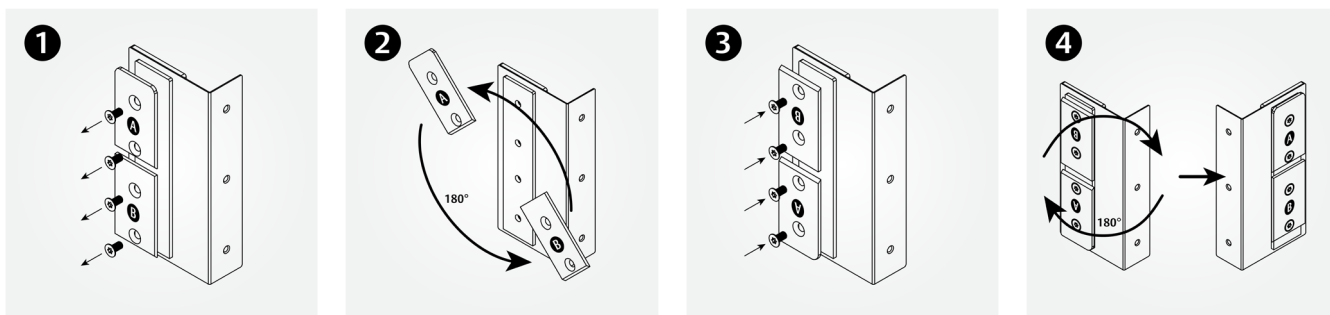
1. Unlock the key safe with the smartphone app.
2. Once the app has opened the lock, a confirmation will be displayed on your mobile phone and a green LED indication confirms that unlocking has taken place.
3. Pull the key holder down.
4. Press the compartment back again. A red LED indication confirms that locking has taken place.

If everything works, you can now repeat the above steps, but this time place the key in the key holder before closing.

3 Adjusting the door mount

You can use the door mount on both right- and left-hung doors. The door mount comes pre-assembled to fit right-hung doors. If you want to use it on a left-hung door, you therefore need to change the place on the plates that hold the key safe in place. The door mount must always have the plate with the round corners upwards (in the pictures below marked with A).

1. Loosen the screws that locks the plates to the door mount
2. Swap the plates and rotate them 180°
3. Screw back the plates
4. Rotate the mount 180° so that the round corners of plate A are facing up.



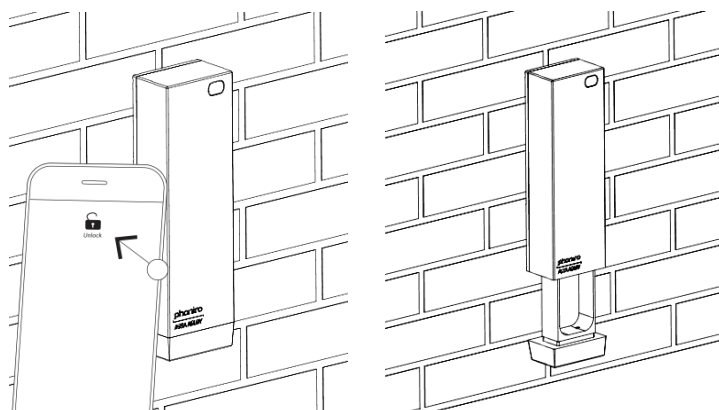
Depending on the depth of the door frame, you need to choose the right door mount. It is available in four sizes:

| Door mount | X = depth of door frame | |
|------------|-------------------------|----------------------------------------------------------------------|
| S | <20 mm | <p>Door opening inwards</p> <p>Door opening outwards¹</p> |
| M | 20–30 mm | |
| L | 30–40 mm | |
| XL | 40–50 mm | |

¹ The SKG*** certification does not apply when mounting on outwards opening doors.

4 Operation

1. Open the Phoniro Care app on your smartphone and search for the key safe.
2. When the app has found the key safe, press "unlock".
3. When the unlocking is approved, a green LED will indicate that the key safe can be opened.
4. Pull down the key holder to open the key safe.
5. To lock the key safe, simply press the key holder back up. A red LED will indicate that the key safe is locked.



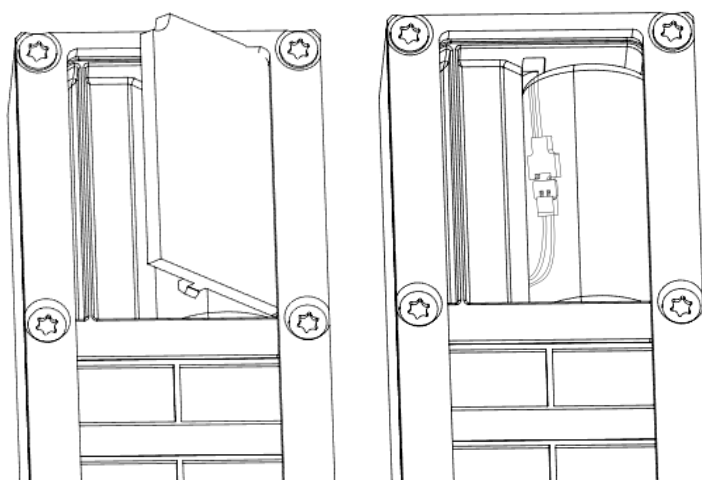
4.1 Battery replacement

When the battery starts to become discharged, a warning is displayed both in the smartphone app and in the Phoniro Care platform.

NOTE! It is important to plan for battery replacement immediately. If the battery is completely discharged, you will not be able to unlock the key cover.

To replace the battery, proceed as follows:

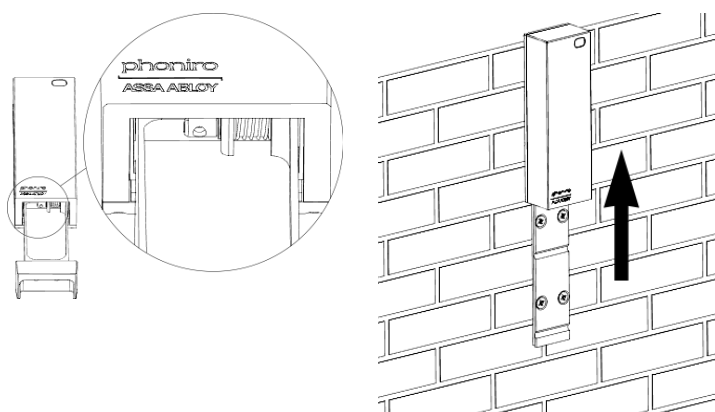
1. Disassemble the unit from the wall (see section "Disassembly" in this manual).
2. Open the plastic lid on the back
3. Replace and connect a new battery, make sure that the plug is pressed in properly.
4. Replace the plastic cover and then mount the key safe on the wall again.
5. Indicate in the app that you have replaced the battery.
6. Unlock the key safe a some times to ensure the function.



5 Disassembly

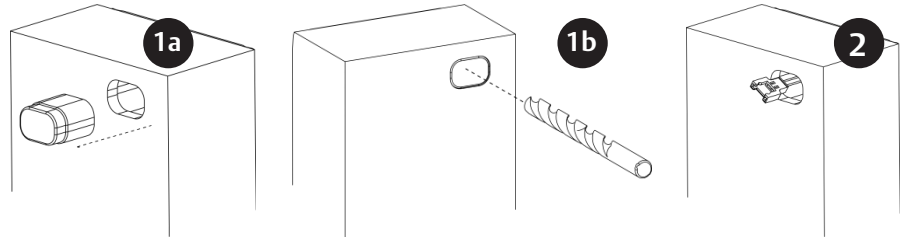
Below shows how to disassemble a key safe that has been mounted on a wall. The same principle also applies when you are dismantling a key safe from a door.

1. Remove the key holder from the key safe by pulling the latch inside the key cover to the left.
2. Then pull the key safe upwards. If the key safe has been in use for a long time, you may need to tap the key safe gently from below, after which it should be easy to pull it off the wall mount.
3. Finally unscrew the wall mount.



6 Emergency opening

- To make an emergency opening of the key safe, you need to remove the LED cover on the front. Phoniro Key Safe is available in two versions and the methods to remove the LED cover are slightly different from each other.



- Soft LED cover:** Use a screwdriver or other sharp object. Insert the screwdriver into the cover and pull it out of the key safe.
 - Hard LED cover:** Drill a small hole in the protection. Be careful not to drill too far! Insert a screwdriver or other sharp object into the hole and pull the cover out of the key safe.
- There is a connector behind the cover, use this to supply power to the key safe via an external battery.
 - Unlock the device as usual via your smartphone app.

NOTE! An emergency opening means that the key safe's LED cover is destroyed. You should have a new LED cover when making an emergency opening so that you can immediately restore the key safe to its original condition.



7 Other

The key safe is certified according to SKG*** Stichting Kwaliteit Gevelbouw (Quality Foundation Gevelbouw). The certification is valid provided that the unit is assembled and installed in accordance with the assembly and installation instructions found in this manual.



This product meets the essential requirements and other relevant provisions of Directives 2014/53/EC (RED) and 2002/95/EC (RoHS).

CARE ADVICE

The product requires no special maintenance. If the product is dirty, it can be cleaned with a damp cloth.

WARRANTY

Phoniro provides a 12-month warranty during the contract period under terms applicable to the manufacturer concerned and covers only manufacturing faults affecting the functionality of the product. The warranty applies only to faults existing at the time of delivery or arising during the warranty period. The warranty does not cover wear and tear or change in the product due solely to normal wear and tear.

Phoniro is not liable for faults that have occurred as a result of the product not having been cared for or used in accordance with instructions given, the product having been subjected to abnormal use or similar conditions, the product having been neglected, the product having been subject to an accidental event or other external effect or the product having been exposed to voltage surges due to thunder or lightning or similar conditions. Warranty claims must be submitted immediately after a fault or operational breakdown has been noted, and the product must be sent to Phoniro Systems without delay.

Phoniro is not liable in any context for faults and/or operational disturbances in the delivered product that can be attributed exclusively to the local authority's operating environment.

RECYCLING



The symbol shown here and, on the product, means that the product is classified as electronic equipment and must not be thrown away among household waste. The purpose of the WEEE Directive (2002/96/EC) is to recycle products in the best way possible to reduce environmental impact, deal with harmful substances and minimise waste. If you wish to dispose of your product, deposit it at the local recycling centre.

SUPPORT

Contact Phoniro Service Center on telephone +46 (0)10-4567 220 in case of problems with this product. We are here to help you.